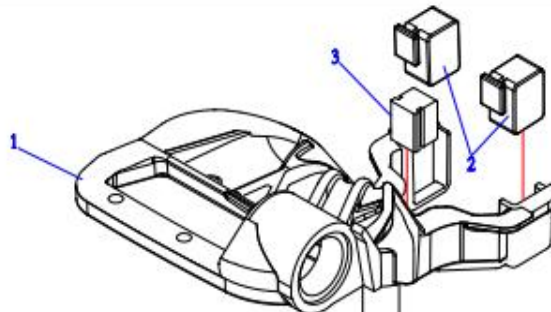
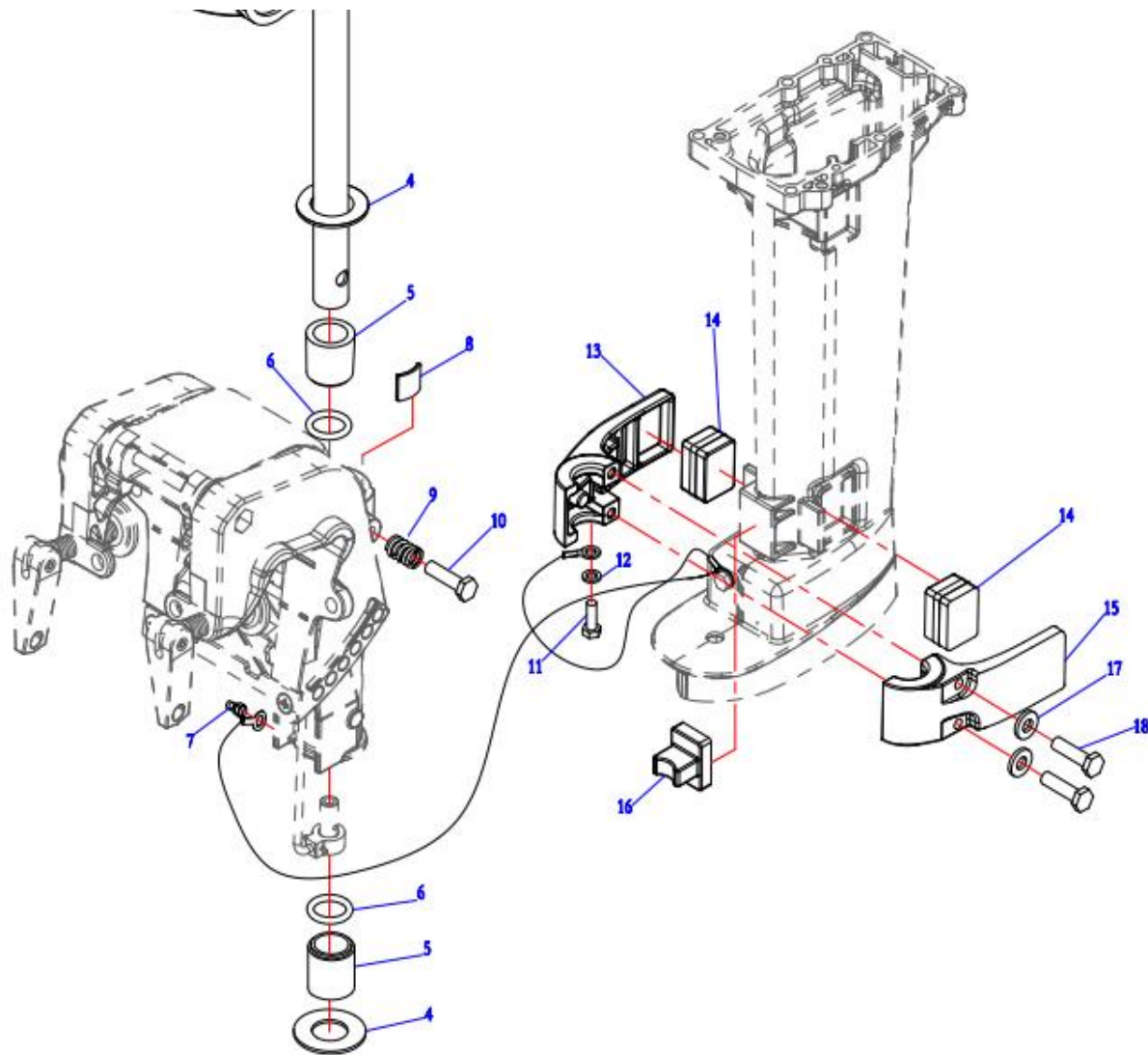


Steering handle Assembly

NO.	part No.	Products name	QTY
-----	----------	---------------	-----

1	T15-04.00.01.01	Steering handle	1
2	T9.8-04.00.01.00	Throttle control cable assembly	1
3	GB/T889.1	Type I non-metallic insert hexagonal lock nut M8	1
4	T15-04.00.01.02	Double Headed Bolt M8 * 37	1
5	T15-04.00.00.01	Steering handle pressure plate	1
6	T15-04.00.00.03	Open nylon Bushing(short)	1
7	T15-04.00.00.02	Nylon gasket	1
8	T15-04.00.00.04	Handle waveform gasket	1
9	T15-04.00.00.05	Open nylon Bushing(long)	1
10	T15-01.00.04.00	Throttle stem assembly	1
11	T15-04.00.00.07	Locking block	1
12	T15-04.00.05.00	Resistance parameter adjusting knob assembly	1
13	GB/T91	Opening pinØ1.6*12	1
14	T15-04.00.00.06	Throttle stem pressure plate	1
15	GB/T823	Cross grooved small disc head screw M5*12	2
16	T15-04.00.02.00	Emergency shutdown switch assembly	1
17	T15-04.00.00.09	Bushing	1
18	T15-04.00.00.20	Flat washer	2
19	T15-04.00.00.08	spring	1
20	T15-04.00.00.01	Throttle label	1
21	GB/T845	Self-tapping screw ST2.2*5 with cross groove disc	1
22	T15-04.00.00.10	Handle	1
23	T15-04.00.00.11	Handle rubber sleeve	1
24	GB/T820	Cross grooved semi-countersunk head screw M5-25	1

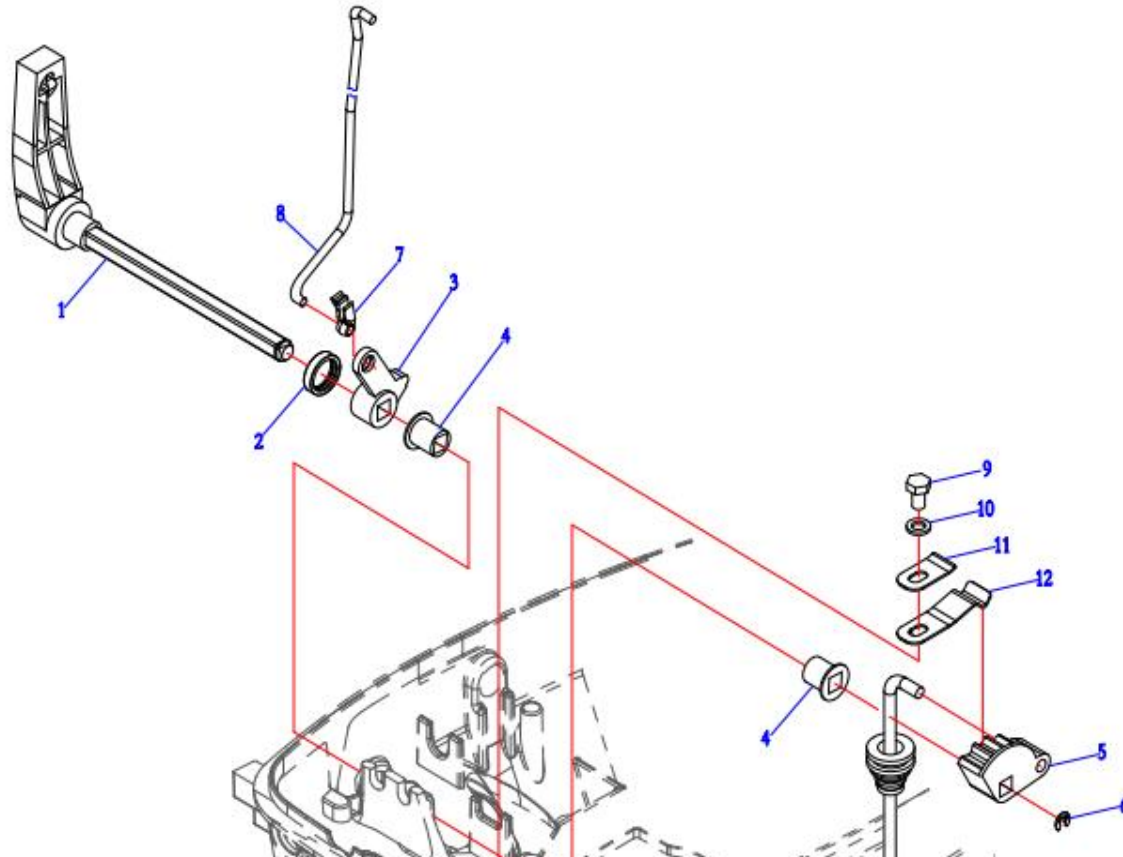


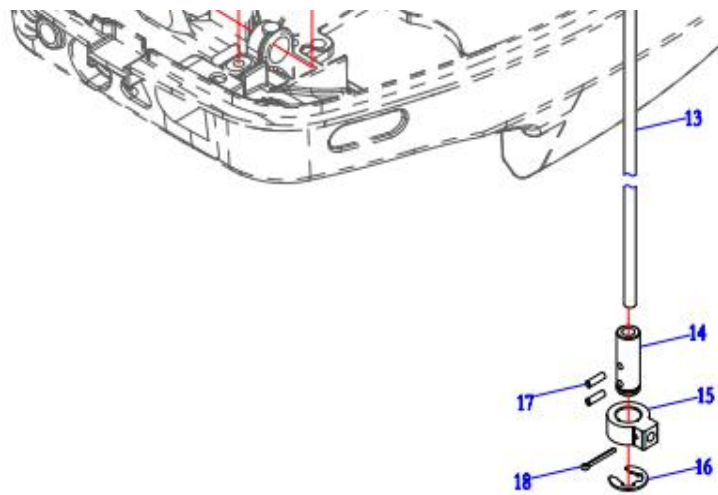


Steering bracket assembly

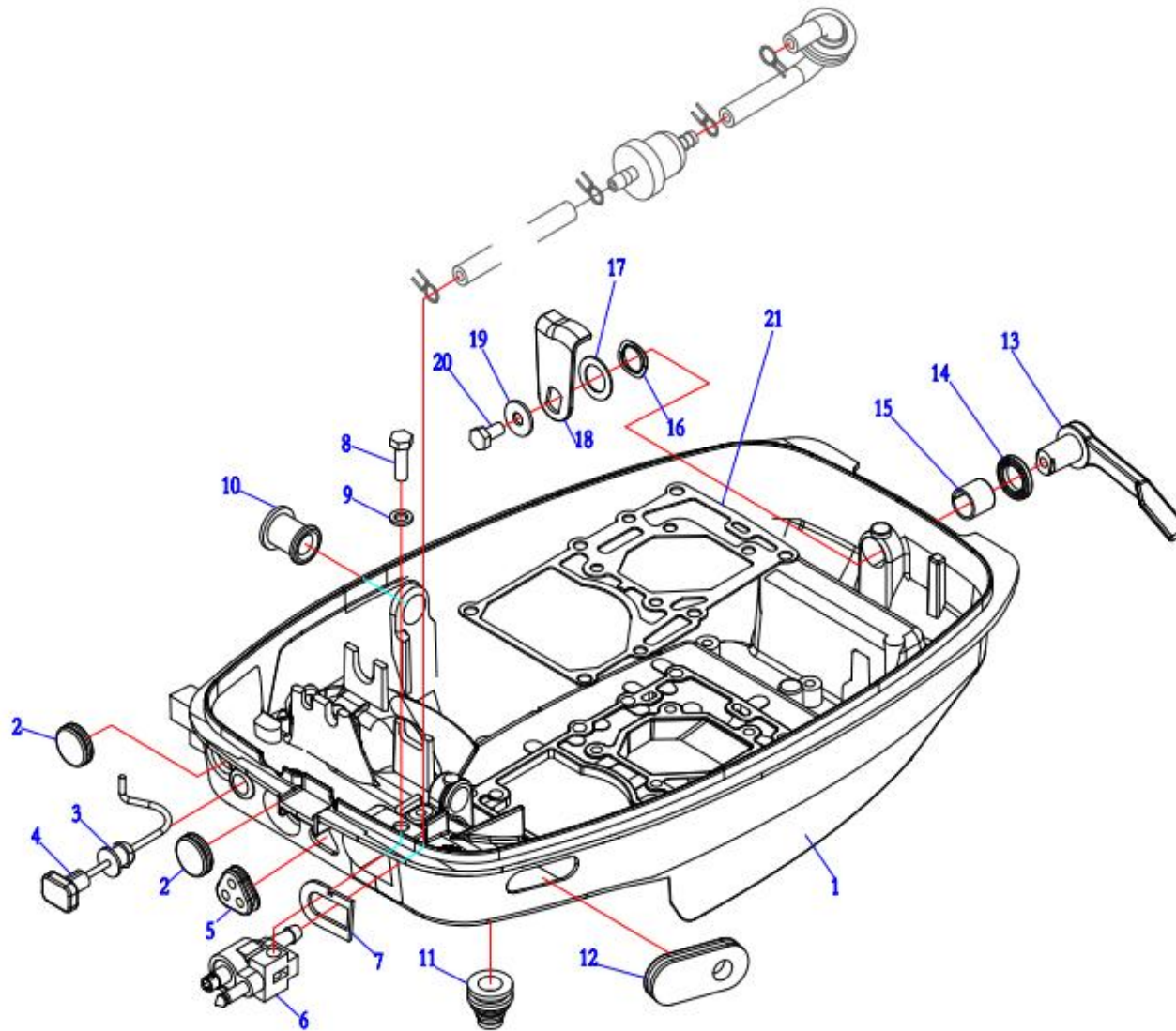
NO.	part No.	Products name	QTY
1	T9.8-03.00.01.00	Steering bracket assembly	1
2	T9.8-03.00.00.02	Damping block D	2
3	T9.8-03.00.00.01	Damping block C	1
4	T9.8-03.00.00.03	Rotary bracket washer	2
5	T9.8-03.00.00.04	Rotary bracket bushing	2

6	T9.8-03.00.00.05	O-ring baa 4*20	2
7	JB/T7940.1	Straight-through pressure injection cup M6	2
8	T9.8-03.00.02.00	Lock block assembly	1
9	T9.8-03.00.00.07	Locking spring	1
10	GB/T5783	Hexagonal head bolt M8*30	1
11	GB/T5783	Hexagonal head bolt M6*12	1
12	GB/T97.1	Flat pad 6	1
13	T9.8-00.00.00.02	Shock absorber housing B	1
14	T9.8-00.00.00.03	Damping block A	2
15	T9.8-00.00.00.01	Shock absorber housing A	1
16	T9.8-00.00.00.04	Damping block B	1
17	GB/T97.1	Flat pad 6	2
18	GB/T5783	Hexagonal head bolt M6*40	2





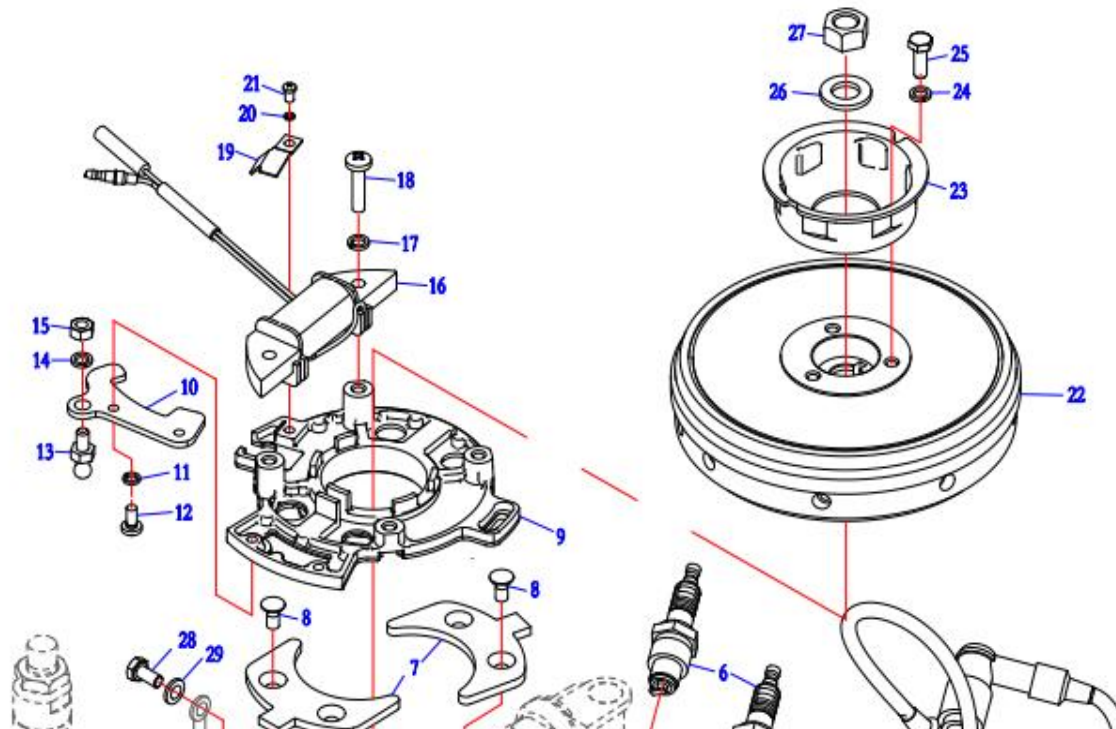
Gear system assembly			
NO.	part No.	Products name	QTY
1	T9.8-01.04.01.00	Shift handle assembly	1
2	T9.8-01.04.00.09	Rubber Ring for Shift Handle	1
3	T9.8-01.04.00.06	connecting rod connection block	1
4	T9.8-01.04.00.05	Shift handle washer	2
5	T9.8-01.04.00.04	Shift positioning block	1
6	GB/T896	Open baffle washer 7	1
7	T5-05.00.00.12	Damper door connecting rod joint	1
8	T9.8-01.04.00.07	Brake connecting rod	1
9	GB/T5783	Hexagonal head bolt M6*10	1
10	GB/T97.1	Flat pad 6	1
11	T9.8-01.04.00.01	Shift Limit Spring Lining	1
12	T9.8-01.04.00.02	Shift limit spring plate	1
13	T9.8-01.04.00.03	Gearshift shock absorber rod	1
14	T9.8-06.00.00.21	Connecting shaft	1
15	T9.8-06.00.00.22	Plastic sliding sleeve	1
16	GB /T896	Open baffle washer 10	1
17	GB/T879.2	Elastic cylindrical pin card 3*10	2
18	GB/T91	Open pin 1.8*16	1

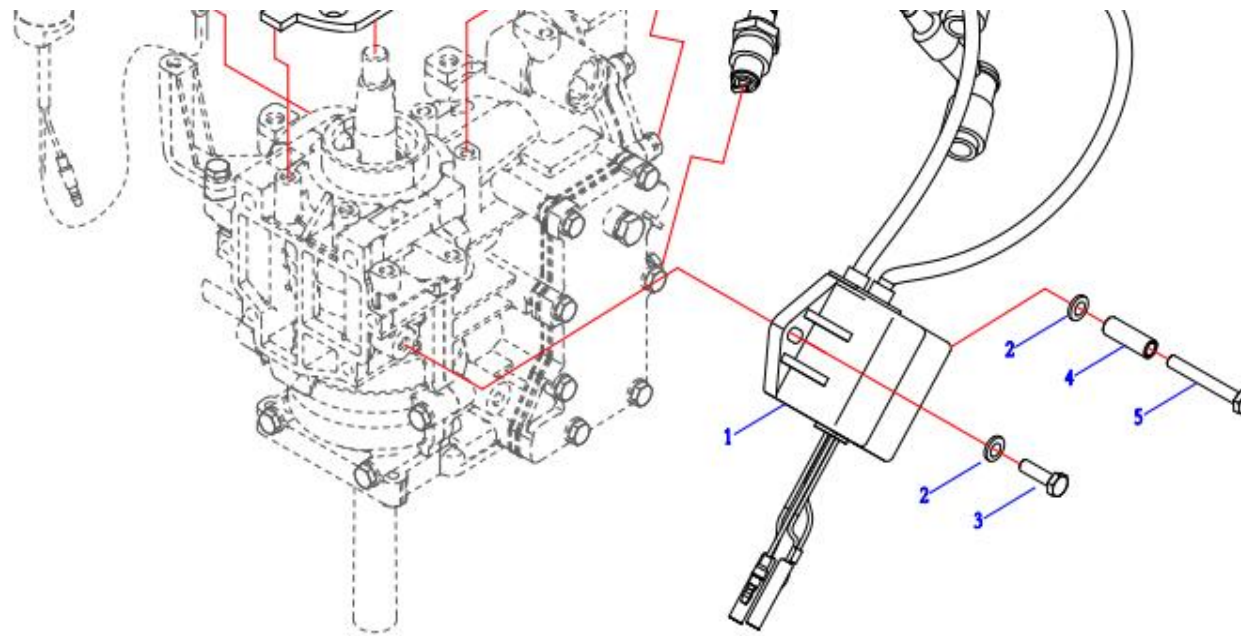


Base Assembly

NO.	part No.	Products name	QTY
1	T9.8-02.00.00.01	Base	1
2	T9.8-02.00.00.03	Round rubber stuffy head	2
3	T9.8-02.00.00.04	Damper door rubber ring	1
4	T9.8-02.00.02.00	Damper door pull bar assembly	1
5	T9.8-02.00.00.02	Throttle cable sheath	1

6	T15-01.02.04.00	Fuel pipe plug assembly	1
7	F6-02.00.00.08	Rubber gasket for fuel pipe plug	1
8	GB/T5783	Hexagonal head bolt M6*20	1
9	GB/T97.1	Flat pad 6	1
10	T9.8-02.00.00.06	Round plug	1
11	T9.8-02.00.00.07	Shift connecting rod sheath	1
12	T9.8-02.00.00.05	Ring rubber plug	1
13	T9.8-02.00.00.13	Front locking handle	1
14	T9.8-02.00.00.12	Rubber ring	1
15	T9.8-02.00.00.11	bushing	1
16	T9.8-02.00.00.09	wave washer	1
17	T9.8-02.00.00.10	Plastic gaskets	1
18	T9.8-02.00.00.08	Locking hook	1
19	GB/T96.1	Large gasket 6	1
20	GB/T5783	Hexagonal head bolt M6*12	1
21	T9.8-02.00.00.06	Body seal gasket	1

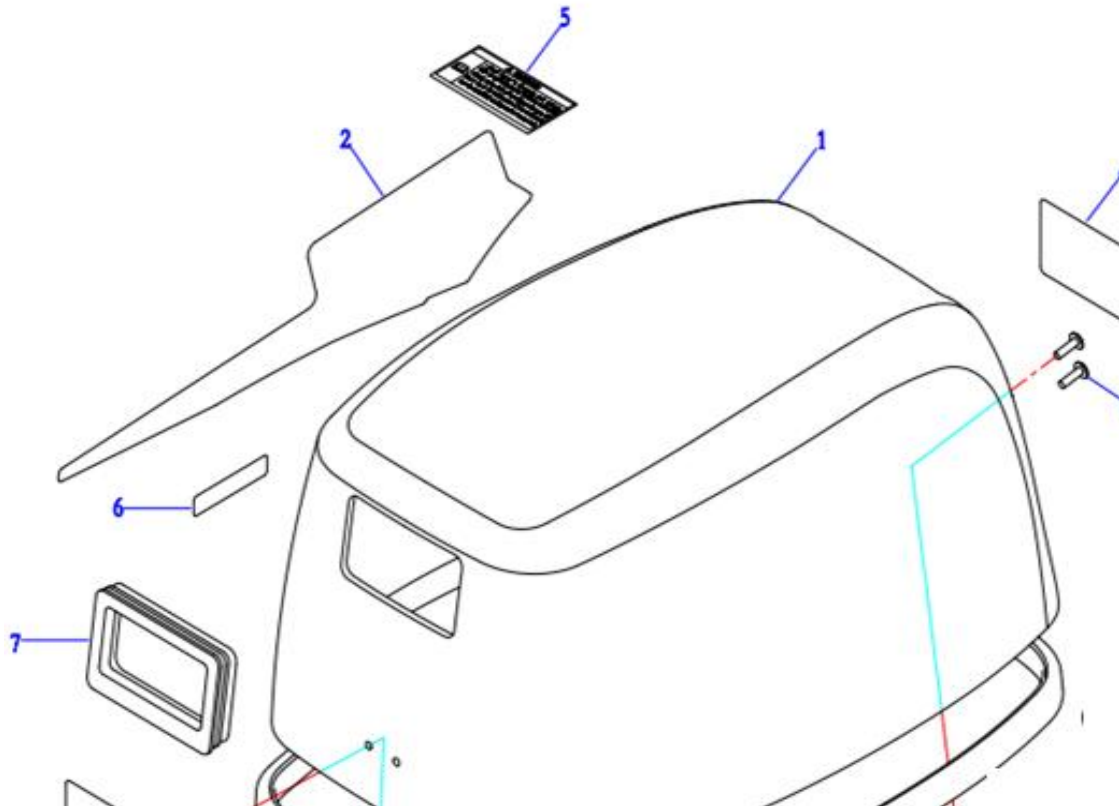


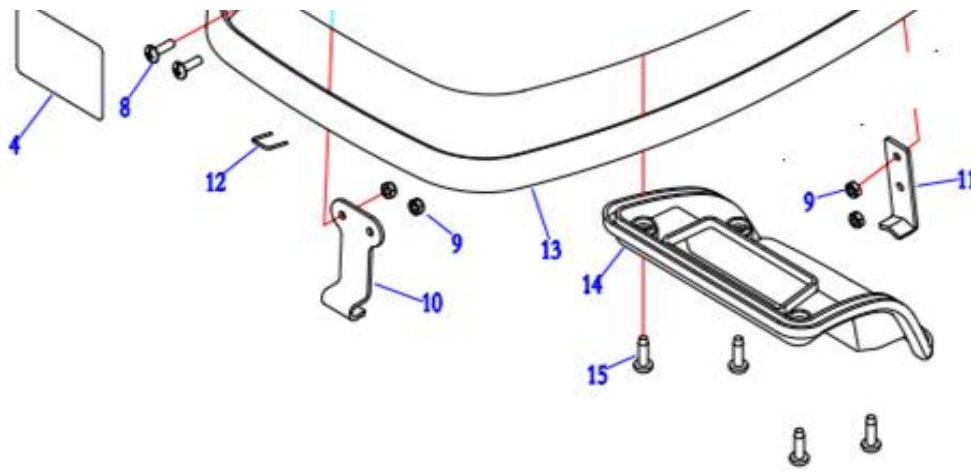


Electrical System Assembly Assembly

NO.	part No.	Products name	QTY
1	T9.8-01.03.02.00	Ignitor assembly	1
2	GB/T97.1	Flat pad 6	2
3	GB/T5783	Hexagonal head bolt M6*20	1
4	T9.8-01.03.00.08	Cushion tube	1
5	GB/T5783	Hexagonal head bolt M6*45	1
6	T5-01.030.01.01	Spark Plug BPR7HS	2
7	T9.8-01.03.00.05	Locating block	2
8	GB/T819.1	Cross grooved countersunk head screw M6*12	4
9	T9.8-01.03.00.04	Magneto base	1
10	T9.8-01.03.00.06	Limit block	1
11	GB/T93	Pad 5	2
12	GB/T818	Cross grooved head screw M5*10	2
13	T9.8-01.03.00.07	Connecting rod joint	1
14	GBT/93	Pad 6	1
15	GB/T6170	Hexagon nut M6	1

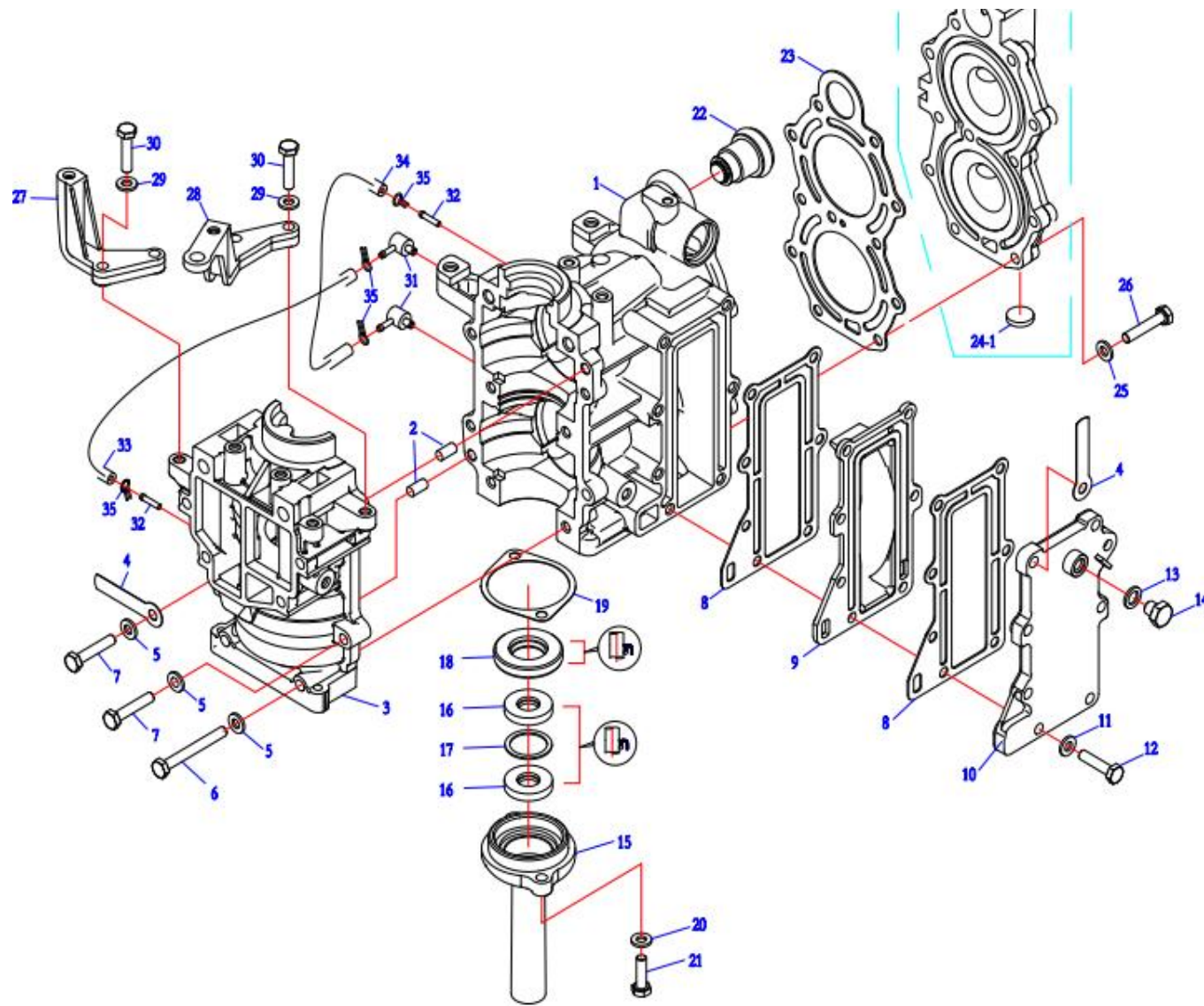
16	T9.8-01.03.01.00	Charging coil assembly	1
17	GB/T93	Pad 6	2
18	GB/T818	Cross grooved head screw M6*25	2
19	T9.8-01.03.00.03	Small pressure plate	1
20	GB/T93	Pad 4	1
21	GB/T818	Cross grooved head screw M4*8	1
22	T9.8-01.03.00.02	Flywheel	1
23	T5-01.03.00.01	Starting hub	1
24	GB/T93	Pad 6	3
25	GB/T5783	Hexagonal head bolt M6*12	3
26	GB/T848	Flywheel nut	1
27	T5-01.03.00.03	Flywheel nut	1
28	GB/T5783	Starting hub	1
29	GB/T97.1	Flat pad 6	1





Top cover Assembly			
NO.	part No.	Products name	QTY
1	T9.8-07.00.00.01	Top cover	1
2	F6-07.00.00.06	Left label	1
3	F6-07.00.00.07	Right label	1
4	T9.8-07.00.00.03	Horsepower label	2
5	T15-02.00.00.20	Base label	1
6	F6-02.00.00.17	gear label	1
7	T5-07.00.00.06	Rubber block	1
8	GB/T973	Cross grooved large flat head screw M4*12	4
9	GB/T889.1	Type I Non-metallic Insert Hexagonal Locking Nut	4
10	T9.8-07.00.00.05	Front locking hook	1
11	T5-07.00.00.02	Rear locking hook	1
12	T5-07.00.00.03	Binding pin 1013J	14
13	T9.8-07.00.00.04	Rubber Sealing Strip for Top Cover	1
14	T9.8-07.00.00.02	Inlet gas cap	1
15	GB/T845	Self-tapping screw ST4.8*16 with cross groove disc	4

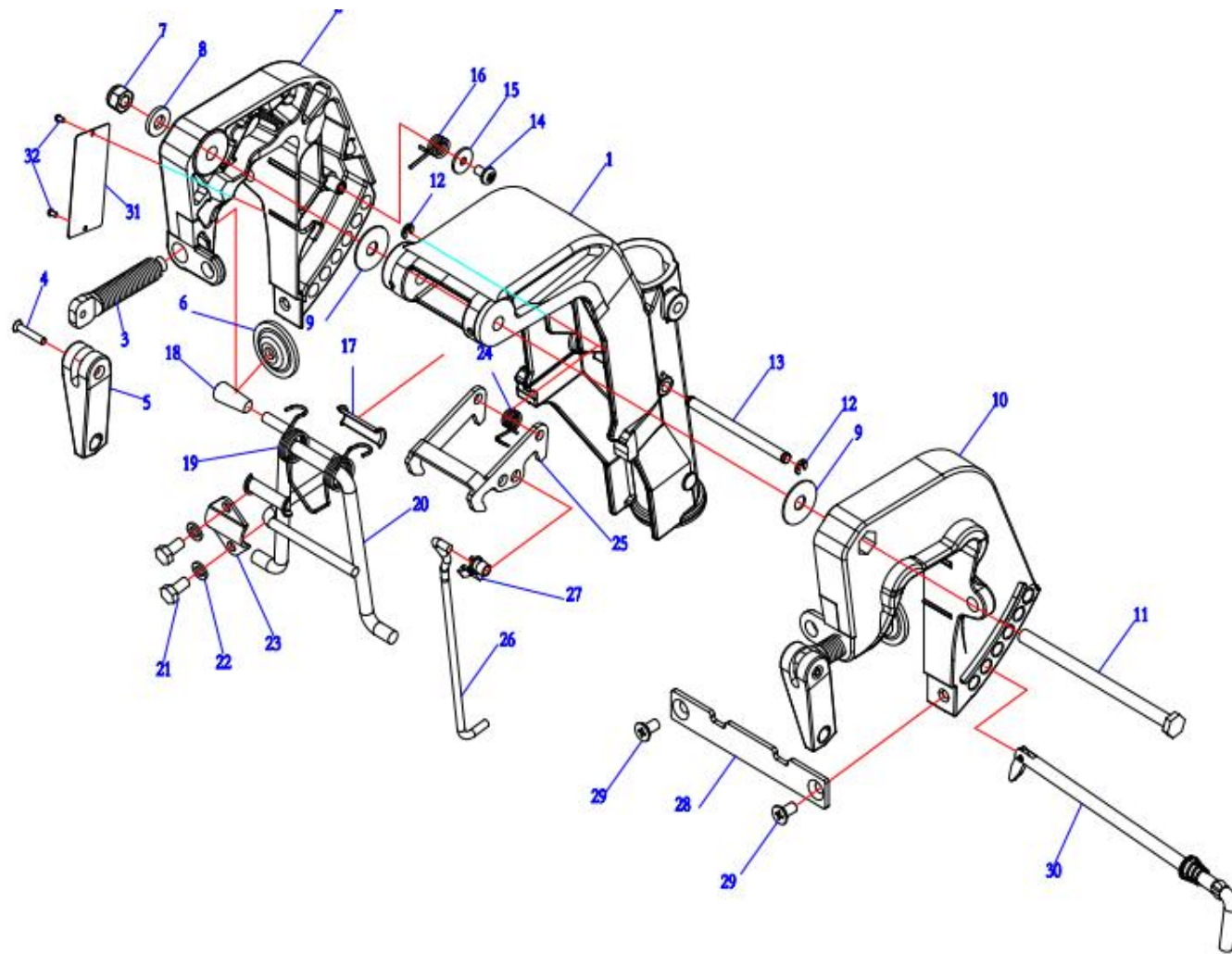




Dynamic system Assembly

NO.	part No.	Products name	QTY
1	T9.8-01.05.03.00	Box assembly	1
2	T15-01.06.00.16	Location pin 6*12	2
3	T9.8-01.05.00.17	Box cover	1
4	T9.8-01.01.00.01	Fixer	2
5	GB/T97.1	Flat pad 6	4

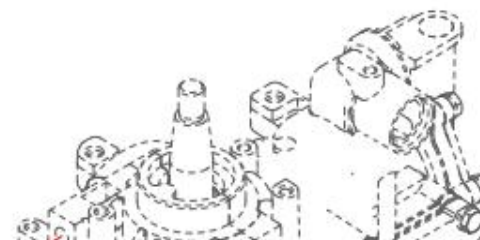
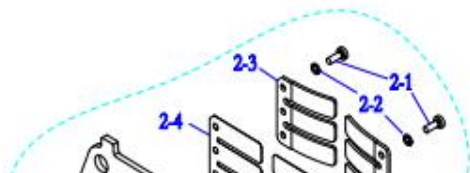
6	GB/T5783	Hexagonal head bolt M6*30	2
7	GB/T5783	Hexagonal head bolt M6*50	2
8	T9.8-01.05.00.15	Exhaust cover pad	2
9	T9.8-01.05.00.16	Exhaust inner cover	1
10	T9.8-01.05.00.14	Exhaust outer cover	1
11	GB/T97.1	Flat pad 6	7
12	GB/T5783	Hexagonal head bolt M6*25	7
13	F6-01.04.00.59	Copper gasket	1
14	GB/T5783	Hexagonal head bolt M6*25	1
15	T9.8-01.05.00.09	Oil Seal Shell	1
16	T9.8-01.05.00.09	Oil Seal Ba 12*Ba 28*5	2
17	T9.8-01.05.00.06	Oil seal gasket	1
18	T9.8-01.05.00.07	Oil Seal Ba 20*Ba 40*7	1
19	T9.8-01.05.00.05	Sealing gasket for oil seal shell	1
20	T9.8-01.00.00.08	Flat pad 5	2
21	GB/T97.1	Hexagonal head bolt M6*20	2
22	GB/T5783	Thermostat	1
23	T15-01.06.00.14	Cylinder head gasket	1
24	T9.8-01.05.00.10	The cylinder cover	1
24-1	T9.8-01.05.00.12	Cylinder head plug	2
25	GB/T97.1	Flat pad 6	11
26	GB/T5783	Hexagonal head bolt M6*30	11
27	T9.8-01.05.00.01	Starter left bracket	1
28	T9.8-01.05.00.02	Starter right bracket	1
29	GB/T97.1	Flat pad 6	4
30	GB/T5783	Hexagonal head bolt M6*20	4
31	T15-01.02.05.05	Tracheal round joint	2
32	T15-01.06.00.01	Tracheal Round Joint A	2
33	T9.8-01.05.00.03	Back tubing (short)	1
34	T9.8-01.05.00.04	Back tubing (long)	1
35	T15-01.06.00.03	Pipe clamp 7	4

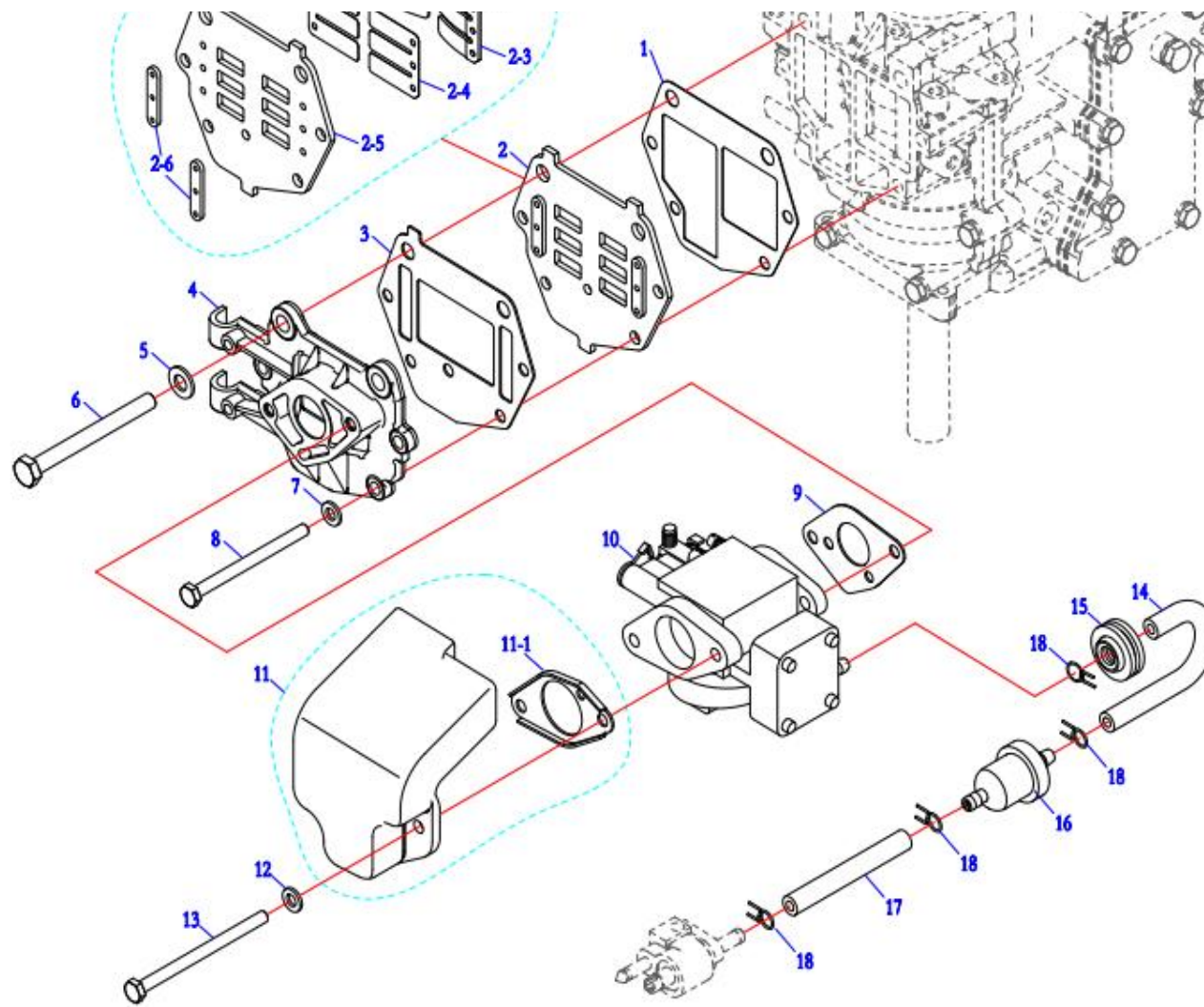


Clamping bracket assembly

NO.	part No.	Products name	QTY
1	T9.8-03.00.00.06	Swivel bracket	1
2	T9.8-03.00.04.01	Left bracket	1
3	T9.8-03.00.04.02	Stern plate clamping bolt	2
4	GB/T1015	Countersunk semi-hollow rivet	2
5	T15-03.00.00.36	Clamping handle	2
6	T15-03.00.00.35	Clamping plate	2

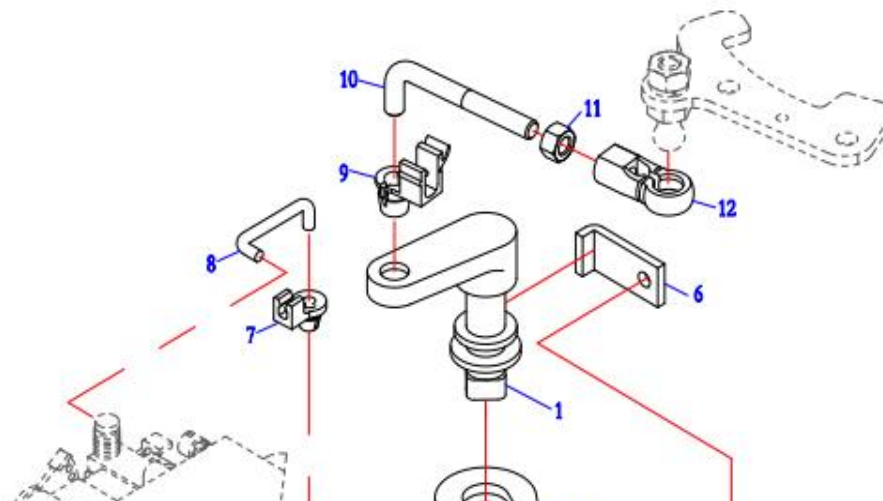
7	GB/T889.1	Type I Non-metallic Insert Hexagonal Locking Nut	1
8	GB/T95	Flat pad 8	1
9	T9.8-03.00.00.09	Large gasket	2
10	T9.8-03.00.05.01	Right bracket	1
11	GB/T5782	Hexagonal head bolt M8*125	1
12	GB/T896	Open baffle washer 5	2
13	T9.8-03.00.00.12	Pin shaft	1
14	GB/T818	Cross grooved head screw M4*8	1
15	T9.8-03.00.00.11	Large washer	1
16	T9.8-03.00.00.10	Torsion spring A	1
17	T9.8-03.00.00.18	Bracket bushing	2
18	F6-03.00.00.13	Rubber sleeve for handle of angle bracket	1
19	T9.8-03.00.00.19	Torsional spring of angle support frame	1
20	T9.8-03.00.06.00	Angle bracket assembly	1
21	GB/T5783	Hexagonal head bolt M6*12	1
22	GB/T97.1	Flat pad 6	1
23	T9.8-03.00.00.17	Supporting frame pressure plate	1
24	T9.8-03.00.00.14	Torsion spring B	1
25	T9.8-03.00.00.13	Front locking	1
26	T9.8-03.00.00.16	Locking hook connecting rod	1
27	T9.8-01.04.00.12	Internal frame connecting rod joint	1
28	GB/T819.1	Clamping bracket connection plate	1
29	T9.8-03.00.00.08	Cross grooved countersunk head screw M6*12	2
30	F6-03.00.04.00	Angle Limited Plug Assembly	1
31	T15-03.00.00.03	Aluminium sign	1
32	GB/T827	Sign Rivet <S> 2.5 * 6	2

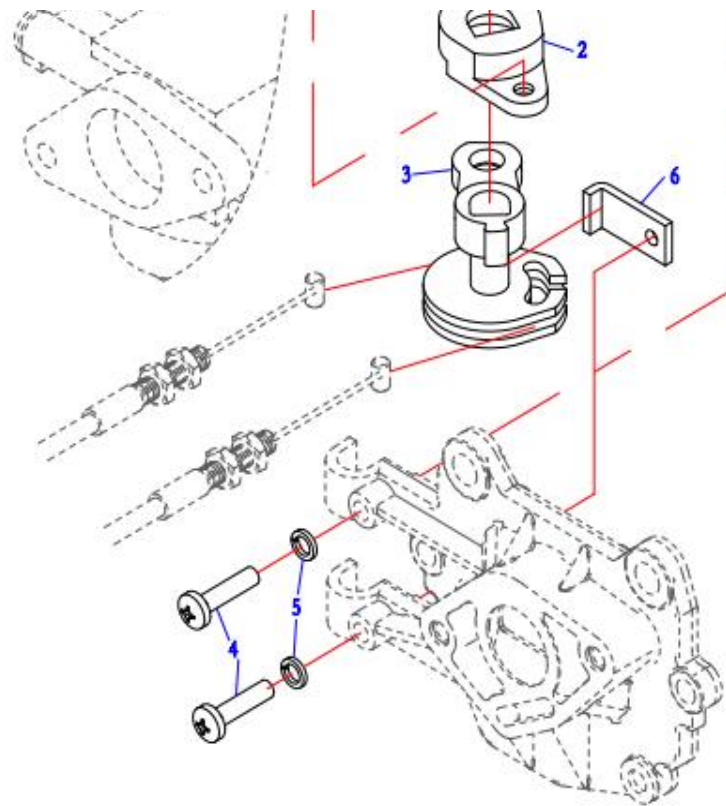




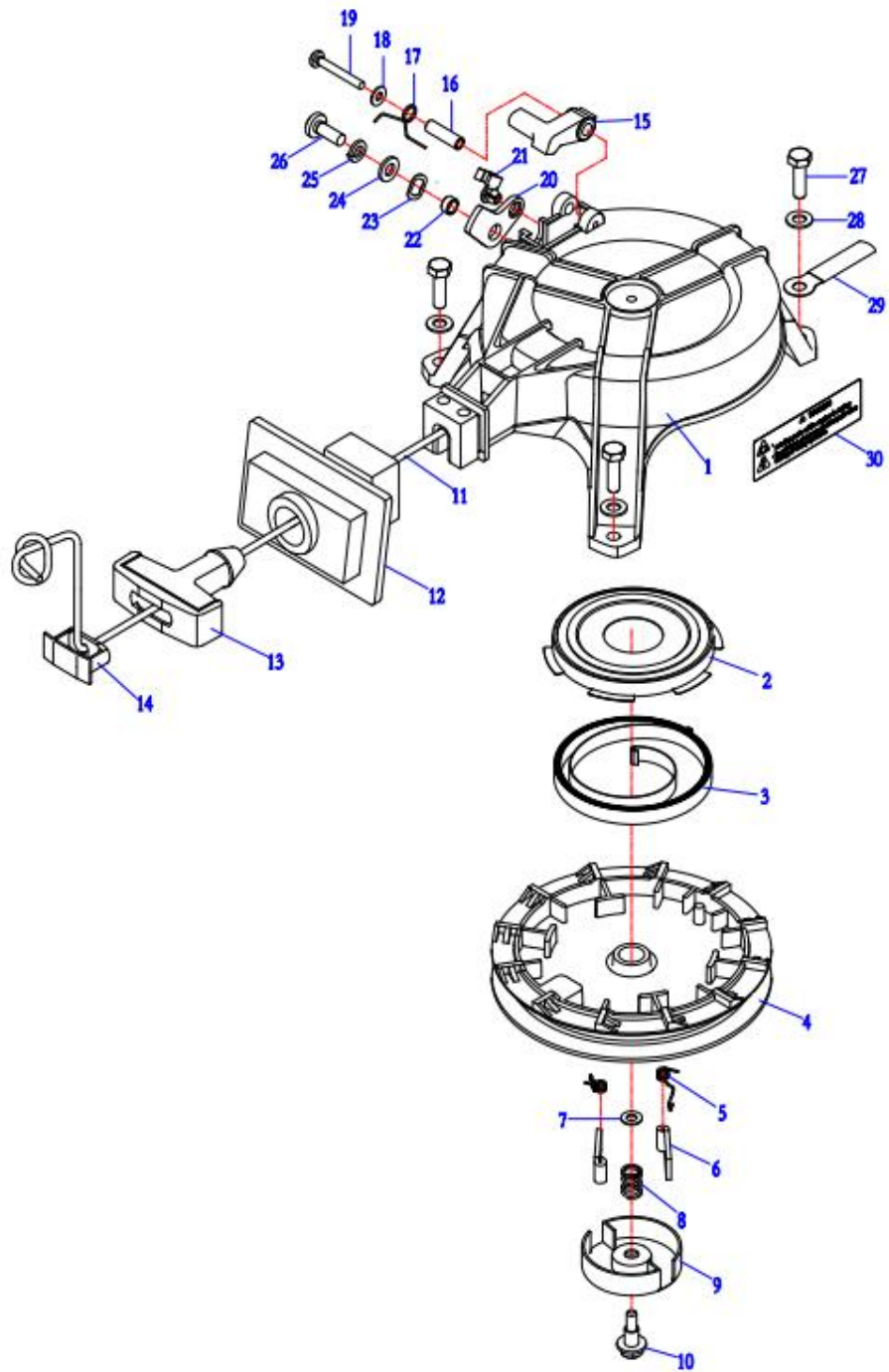
Tiller Assembly			
NO.	part No.	Products name	QTY
1	T9.8-01.02.00.08	Sealing gasket (outer)	1
2	T9.8-01.02.03.00	Intake Valve Assembly	1
2-1	GB/T818	Cross grooved disc head screw M3*8	6
2-2	GB/T93	Pad 3	6
2-3	T9.8-01.02.03.03	Mesh platen	2

2-4	T9.8-01.02.03.02	Mesh	2
2-5	T9.8-01.02.03.01	Intake valve seat	1
2-6	T9.8-01.02.00.04	Fixed nut	2
3	T9.8-01.02.00.07	Sealing gasket (inner)	1
4	T9.8-01.02.00.06	Intake valve cover	1
5	GB/T97.1	Flat pad 8	2
6	GBT/5782	Hexagonal head bolt M8*80	2
7	GB/T97.1	Flat pad 6	4
8	GB/T5782	Hexagonal head bolt M6*75	4
9	T9.8-01.02.00.05	Carburetor gasket	1
10	T9.8-01.02.02.00	Carburetor assembly	1
11	T9.8-01.02.01.00	Intake silencer assembly	1
11-1	T9.8-01.02.01.01	Intake silencer pressure plate	1
12	GB/T96.1	Large washer 6	2
13	GB/T5783	Hexagonal head bolt M6*65	2
14	T9.8-01.02.00.03	Tubing B	1
15	T9.8-01.02.00.04	Tubing shock absorber	1
16	T2-01.04.05.00	A filter assembly	1
17	T9.8-01.02.00.02	Tubing A	1
18	TF6-01.02.00.03	Pipe clamp 10	4



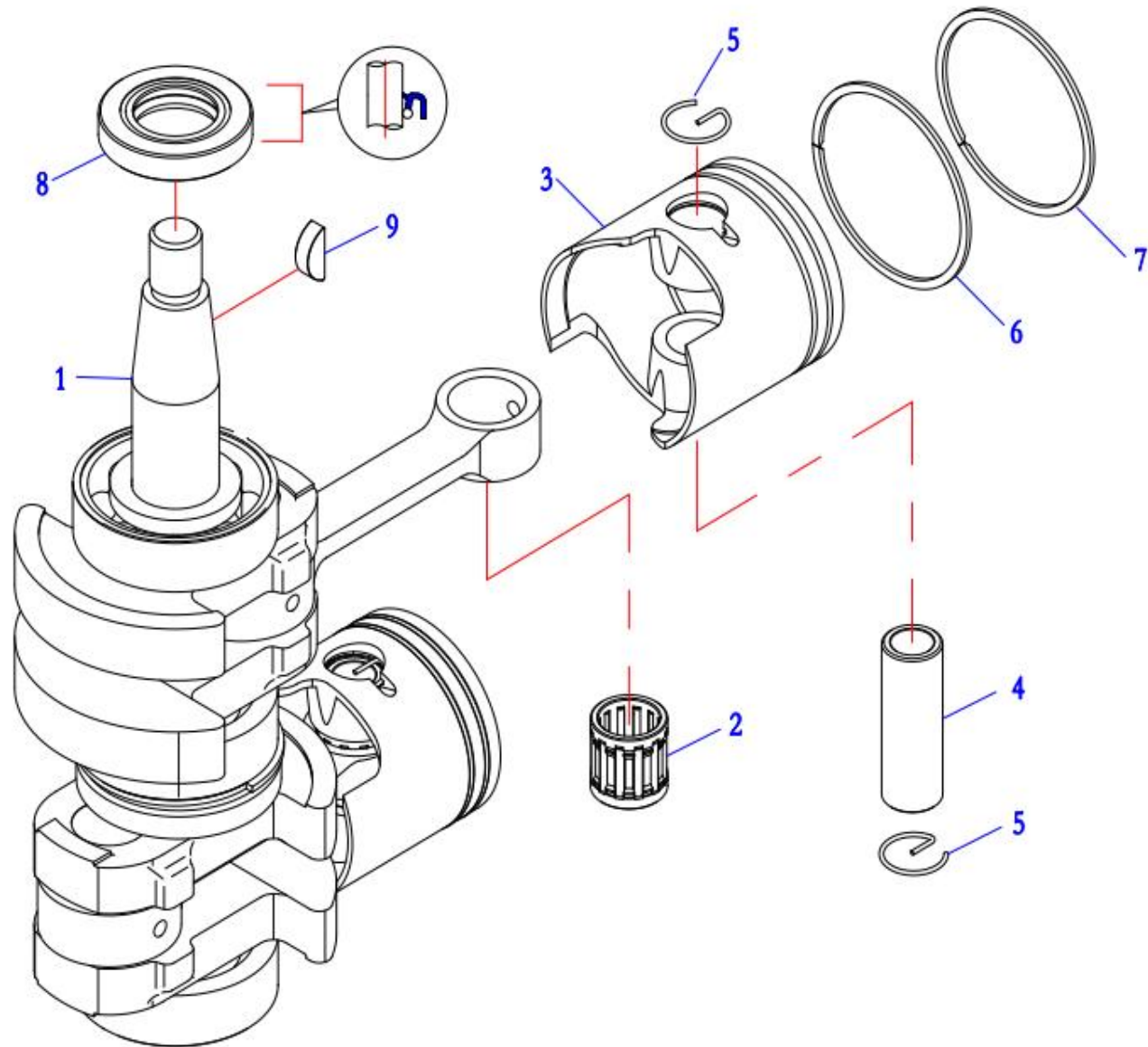


Control system Assembly			
NO.	part No.	Products name	QTY
1	T9.8-01.04.00.13	Magneto coil rocker arm	1
2	T9.8-01.04.00.16	Accelerator actuator rocker arm	1
3	T9.8-01.04.00.17	Active pulley of throttle actuator	1
4	GB/T818	Cross grooved head screw M5*20	2
5	GB/T93	Pad 5	2
6	T9.8-01.04.00.14	Throttle controller holder	2
7	T15-01.04.00.05	Throttle controller connector	1
8	T9.8-01.04.00.15	Throttle controller connecting rod	1
9	T9.8-01.04.00.12	Internal frame connecting rod joint	1
10	T9.8-01.04.00.10	Magneto coil connecting rod	1
11	GB/T6170	Hexagon nut M5	1
12	T9.8-01.04.00.11	Trigger coil connector	1



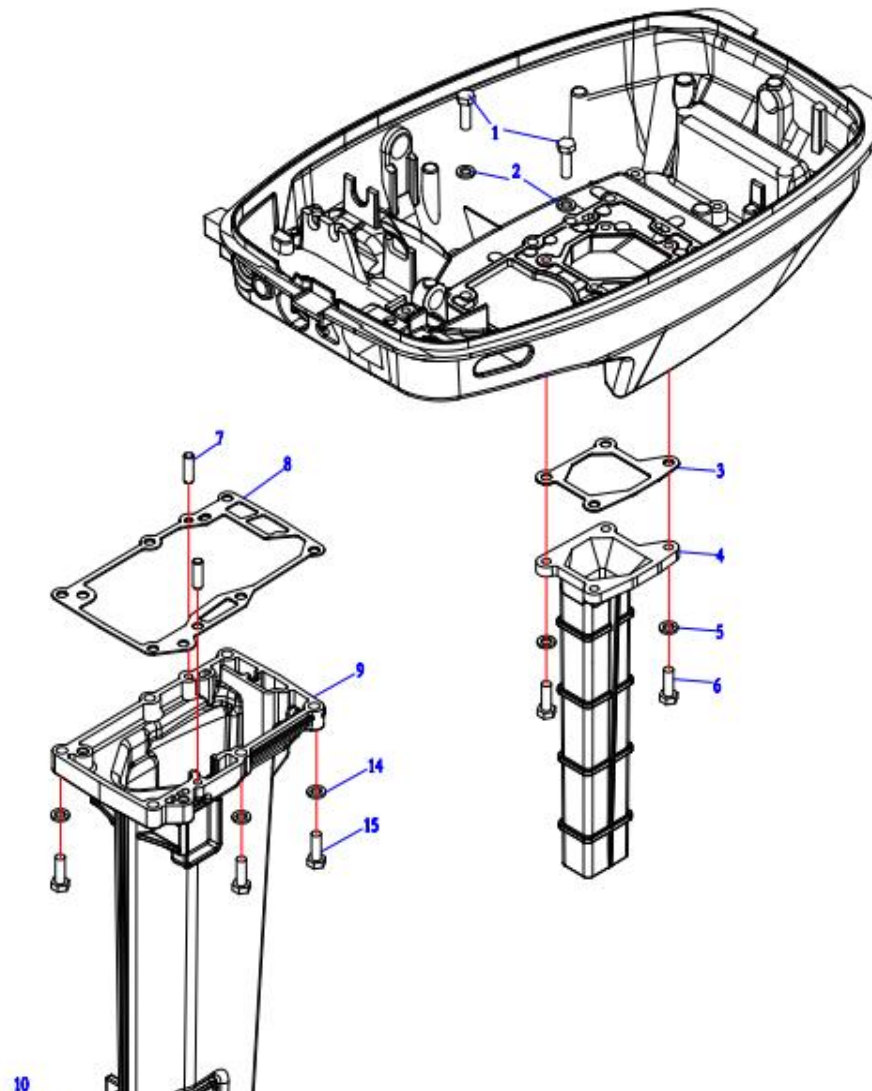
Starting hood Assembly

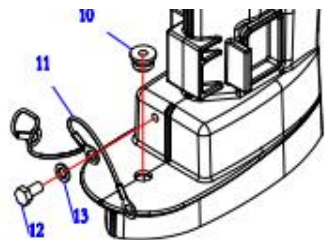
NO.	part No.	Products name	QTY
1	T9.8-01.01.00.06	Starting hood	1
2	T5-01.01.00.12	Vortex Spring Disc	1
3	T5-01.01.00.13	Scroll spring	1
4	T5-01.01.00.15	Starter wheel	1
5	T5-01.01.00.10	Starting claw spring	2
6	T5-01.01.00.09	Starting claw	2
7	GB/T97.1	Flat pad 5 (thin)	1
8	T5-01.01.00.08	Starting pressure plate Spring	1
9	T5-01.01.00.07	Starting pressure plate	1
10	T5-01.01.00.11	Starting pressure plate bolt	1
11	T5-01.01.00.16	Starting ropeØ4*1670	1
12	T5-01.01.03.00	Handle bracket assembly	1
13	T15-01.01.00.01	Starting handle	1
14	T15-01.01.00.05	Start handle cover	1
15	T5-01.01.00.04	Driving arm	1
16	T5-01.01.00.03	Copper pad pipe	1
17	T5-01.01.00.05	Driving arm torsion spring	1
18	GB/T97.1	Flat pad 4	1
19	GB/T823	Cross grooved small disc head screw M4*30	1
20	T9.8-01.01.00.04	Brake	1
21	T5-01.00.00.12	Damper connecting rod joint	1
22	T9.8-01.01.00.05	Brake pad pipe	1
23	GB/T97.1	wave washer	1
24	GB/T93	Flat pad 6	1
25	GB/T818	Pad 6	1
26	GB/T5783	Cross grooved head screw M6*16	1
27	GB/T97.1	Hexagonal head bolt M6*20	3
28	GB/T97.1	Flat pad 6	3
29	T9.8-01.01.00.01	Fixed plate	1
30	T15-01.01.00.02	Starter hood warning label (side)	1



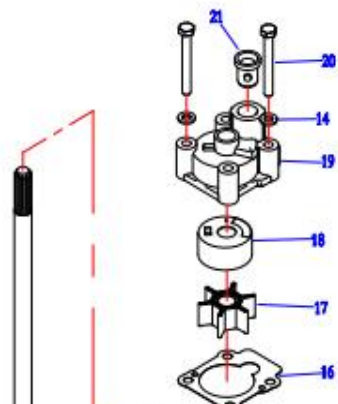
Crankshaft connecting rod piston assembly Assembly			
NO.	part No.	Products name	QTY
1	T9.8-01.05.01.00	Crankshaft connecting rod assembly	1

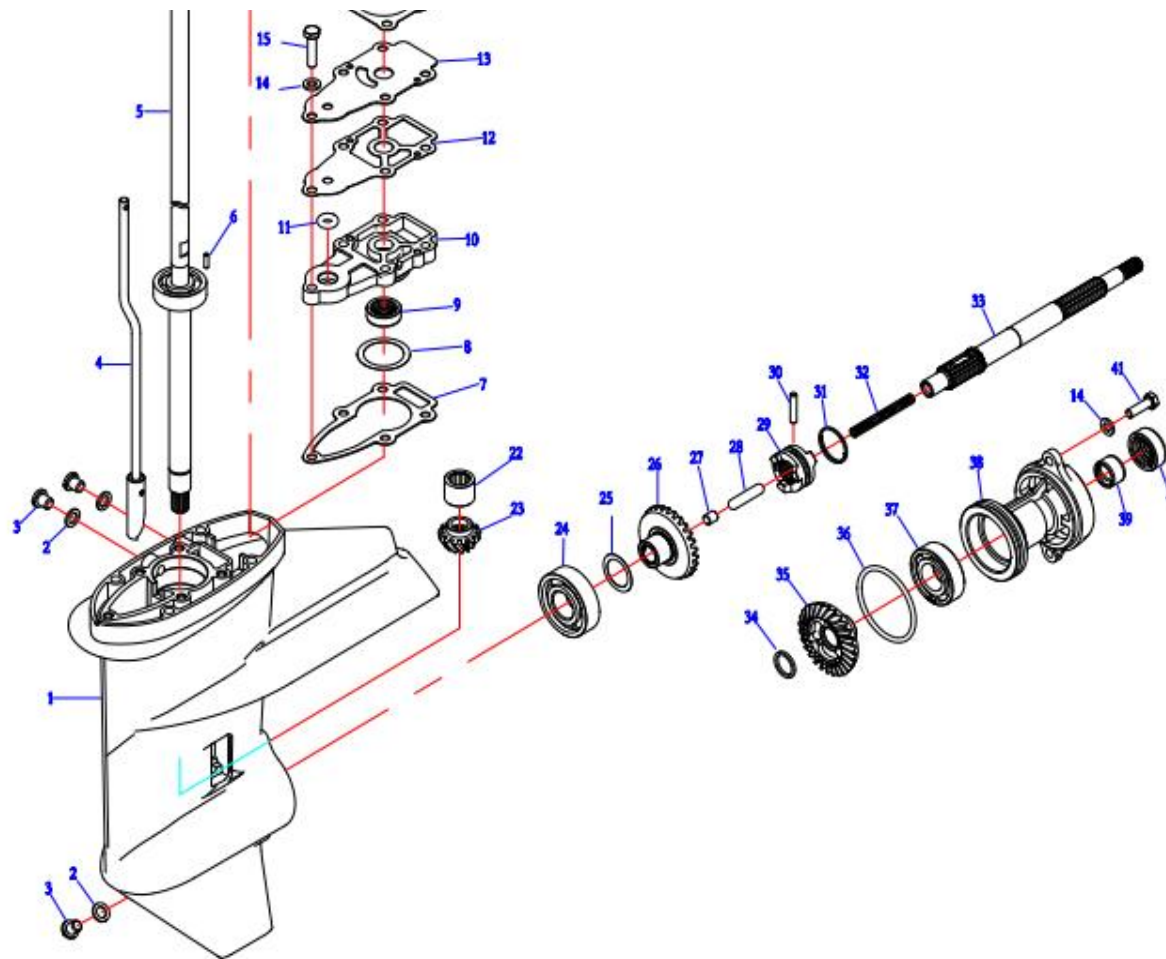
2	T5-01.04.00.14	Needle bearing	2
3	T9.8-01.05.00.24	piston	2
4	T9.5-01.05.00.23	Piston pin	2
5	T9.8-01.05.00.22	Piston pin spring	4
6	T9.8-01.05.00.26	Second piston ring	2
7	T9.8-01.05.00.25	First piston ring	2
8	T9.8-01.05.00.20	Oil sealØ20*Ø35*7	1
9	T9.5-01.05.00.19	Flywheel semicircle key	1





The water device assembly Assembly			
NO.	part No.	Products name	QTY
1	GB/T5783	Hexagonal head bolt M6*20	2
2	GB/T97.1	Flat pad 6	2
3	T9.8-02.00.00.14	Exhaust pipe gasket	1
4	T9.8-02.00.00.15	Exhaust pipe	1
5	GB/T97.1	Flat pad 6	4
6	GB/T5783	Hexagonal head bolt M6*18	4
7	F20-05.00.00.15	Location pin 6*19	2
8	T9.8-05.00.00.01	Sealing gasket for shell of water device	1
9	T9.8-05.00.00.05	Shell of Water Device	1
10	T9.8-05.00.00.04	Shift cam rod seal ring	1
11	T15-00.00.01.00	Cable connecting rod assembly	1
12	GB/T5783	Hexagonal head bolt M6*12	1
13	GB/T97.1	Flat pad 6	1
14	GB/T97.1	Flat pad 6	6
12	GB/T5783	Hexagonal head bolt M6*35	6

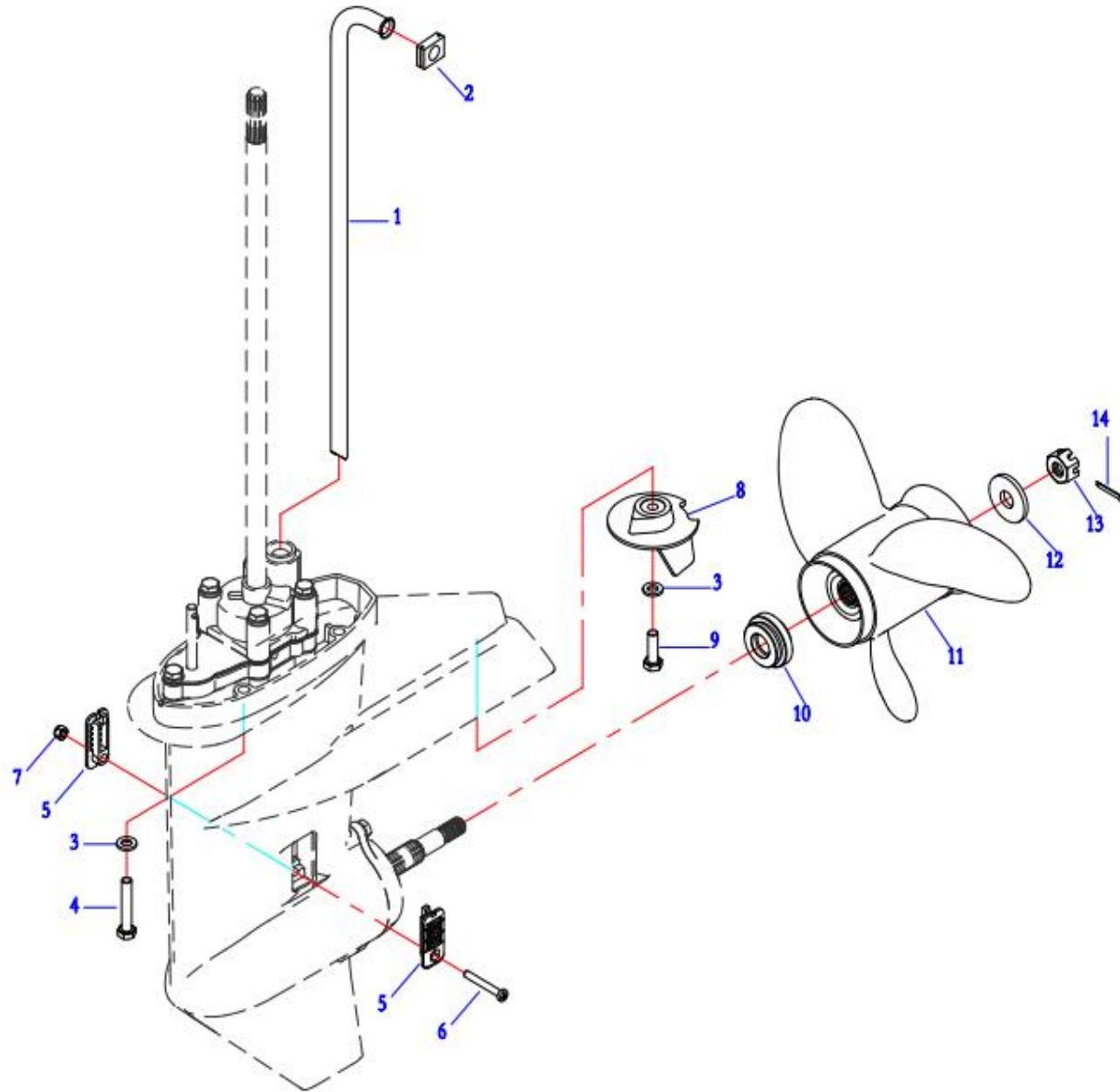




Underwater device assembly Assembly 1

NO.	part No.	Products name	QTY
1	T9.8-06.00.00.20	Underwater shell	1
2	T15-06.00.00.03	Screw plug sealing ring	3
3	T15-06.00.00.02	Oil Injection Nozzle Screw Plug	3
4	T9.8-06.00.05.00	Shift cam rod assembly	1
5	T9.8-06.00.06.00	Drive shaft assembly	1
6	T9.8-06.00.00.14	Impeller positioning pin Ø3*11	1
7	T9.8-06.00.00.13	Sealing gasket for water pump seat	1
8	T9.8-06.00.00.12	Drive shaft filler (0.1,0.15)	1
9	T9.8-06.00.00.11	Oil seal Ø12.1*Ø24*8	1

10	T9.8-06.00.00.10	water pump seat	1
11	T15-06.00.04.03	O-type Seal Ring of Shifting rod	1
12	T9.8-06.00.00.09	Pressure plate gasket	1
13	T9.8-06.00.00.08	Pump Seat Pressure Plate	1
14	GB/T97.1	Flat pad 6	7
15	GB/T5783	Hexagonal head bolt M6*25	1
16	T9.8-06.00.00.07	Sealing gasket for Water pump shell	1
17	T9.8-06.00.07.00	Water Pump impeller assembly	1
18	T9.8-06.00.00.05	Water Pump Inner Shell	1
19	T9.8-06.00.00.04	Water Pump housing	1
20	GB/T5783	Hexagonal head bolt M6*50	4
21	T9.8-06.00.00.03	Water Pipe guide sleeve	1
22	T9.8-06.00.00.19	Needle roller bearing TLA1516	1
23	T9.8-06.00.00.15	pinion	1
24	T9.8-06.00.00.02	Deep groove ball bearing 6204	1
25	F9.9-06.00.04.03	Side gear gap patch	1
26	T9.8-06.00.00.18	Positive gear	1
27	T9.8-06.00.04.06	Adjusting plunger	1
28	T9.8-06.00.04.05	Shift plunger	1
29	T9.8-06.00.04.03	Claw clutch	1
30	F9.9-06.00.05.03	pinØ4.5*23	1
31	F9.9-06.00.05.04	Spring ring	1
32	T9.8-06.00.04.04	Compression spring	1
33	T9.8-06.00.04.01	Propeller shaft	1
34	T9.8-06.00.04.02	Propeller shaft washer	1
35	T9.8-06.00.03.02	Side gear	1
36	F9.9-06.00.04.06	O-ring (thick)	1
37	T6-06.00.02.03	Deep groove ball bearing 6004	1
38	T9.8-06.00.03.01	Underwater shell cover	1
39	T9.9-06.00.04.04	Oil bearing	1
40	T9.8-06.00.03.03	Oil sealØ15*Ø28*10	1
41	GB/T5783	Hexagonal head bolt M6*20	2



Underwater device assembly Assembly 2

NO.	part No.	Products name	QTY
1	T9.8-05.00.00.03	Water pipe	1

2	T9.8-05.00.00.02	Plumbing Rubber Ring	1
3	GB/T97.1	Flat pad 6	5
4	GB/T5783	Hexagonal head bolt M6*35	4
5	T9.8-06.00.00.16	Inlet cover	2
6	GB/T823	Cross grooved head screw M4*30	1
7	GB/T889.1	Type I Non-metallic Insert Hexagonal Locking Nut	1
8	T9.8-06.00.00.17	Heading adjuster	1
9	GB/T5783	Hexagonal head bolt M6*20	1
10	T9.8-06.00.00.01	Propeller pad	1
11	T9.8-06.00.01.00	Propeller assembly	1
12	GB/T96.1	Large gasket 10	1
13	T9.8-06.00.00.23	Slotted hexagon nut	1
14	GB/T91	Open pin Ø2.5*20	1